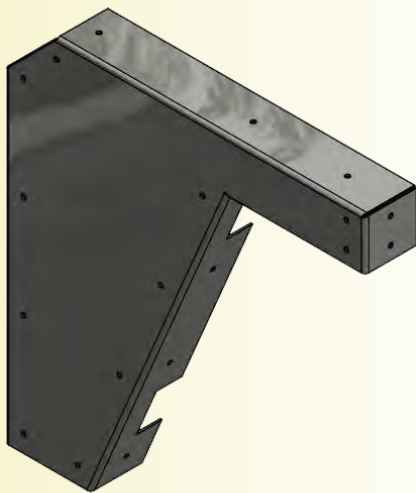




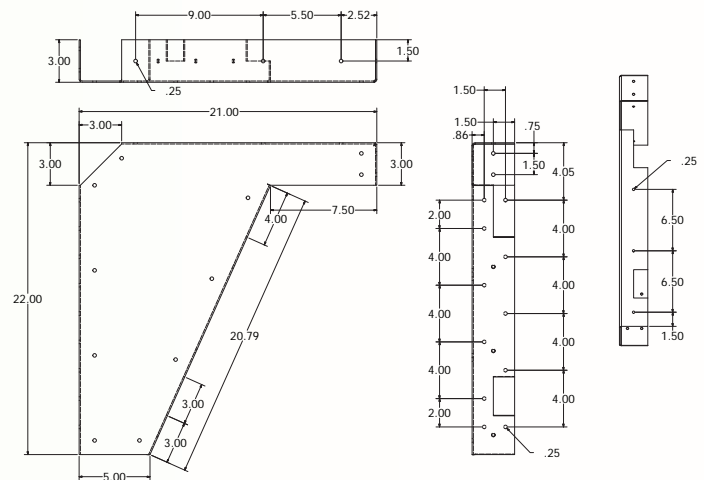
21" ADA VANITY BRACKET

ADA VANITY BRACKET FEATURES

- Available in Made in the USA or Imported
- 12 Gauge Steel offers superior strength
- Available in Black, White, Primer, Stainless Steel and Aluminum (Import Only)
- Optional mounting holes on the side of Black Brackets to install your finishing panel if desired
- Accommodates 22" to 24" tops
- Spring clips & screws provided for easy on/off front skirt attachment
- No visible fasteners
- No tools required to remove & reinstall skirt
- Mounting holes provided for skirt if you do not wish to use spring clips
- 3x3 cut out for wall cleat & wire run clearance
- Load limit range of 860 lbs to 1560 lbs per pair



US Patent Number
D796,302 S



Bracket Options	2-58 Per Bracket	60+ Per Bracket	Pcs/Wgt/Box
US ADA	\$55.95	\$53.15	2pcs/25 lbs
US ADA Stainless	\$99.95	\$94.95	2pcs/25 lbs
Imported ADA	\$36.95	\$35.10	2pcs/25 lbs
Imported ADA Stainless	\$69.95	\$66.45	2pcs/25 lbs
Imported ADA Aluminum	\$46.95	\$44.60	2pcs/25 lbs

Formica Color Matches: Black 909-58 White 933-58 Primer

A&M HARDWARE, INC.

Call To Order (888) 647-0200

1165 Strickler Road, Mount Joy, PA 17552 | Fax: (717) 653-5874

www.AandMhardware.com