

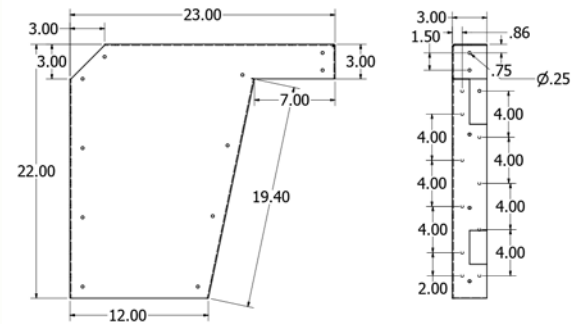
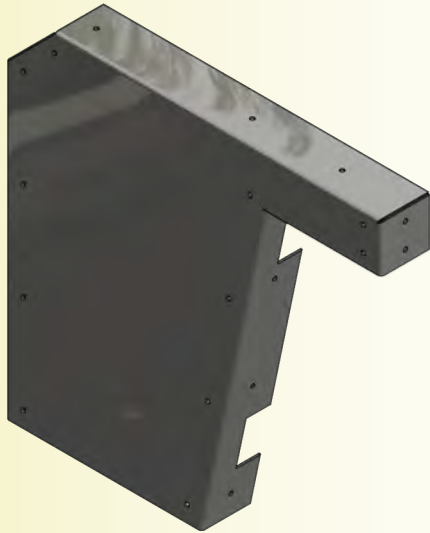


23" ADA VANITY BRACKET



ADA VANITY BRACKET FEATURES

- Available in Made in the USA or Imported
- 12 Gauge Steel offers superior strength
- Available in Black, White, Primer, Stainless Steel and Aluminum (Import Only)
- Optional mounting holes on the side of Black Brackets to install your finishing panel if desired
- Accommodates 24" to 26" tops
- Spring clips & screws provided for easy on/off front skirt attachment
- No visible fasteners
- No tools required to remove & reinstall skirt
- Mounting holes provided for skirt if you do not wish to use spring clips
- 3x3 cut out for wall cleat & wire run clearance
- Load limit range of 940 lbs to 1900 lbs per pair



US Patent Number
US D796,302 S

Bracket Options	2-58 Per Bracket	60+ Per Bracket	Pcs/Wgt/Box
US ADA	\$59.95	\$56.95	2pcs/32 lbs
US ADA Stainless	\$106.95	\$101.60	2pcs/32 lbs
Imported ADA	\$39.95	\$37.95	2pcs/32 lbs
Imported ADA Stainless	\$82.95	\$78.80	2pcs/32 lbs
Imported ADA Aluminum	\$72.95	\$69.30	2pcs/32 lbs

Formica Color Matches: Black 909-58 White 933-58 Primer

A&M HARDWARE, INC.

Call To Order (888) 647-0200

1165 Strickler Road, Mount Joy, PA 17552 | Fax: (717) 653-5874

www.AandMhardware.com